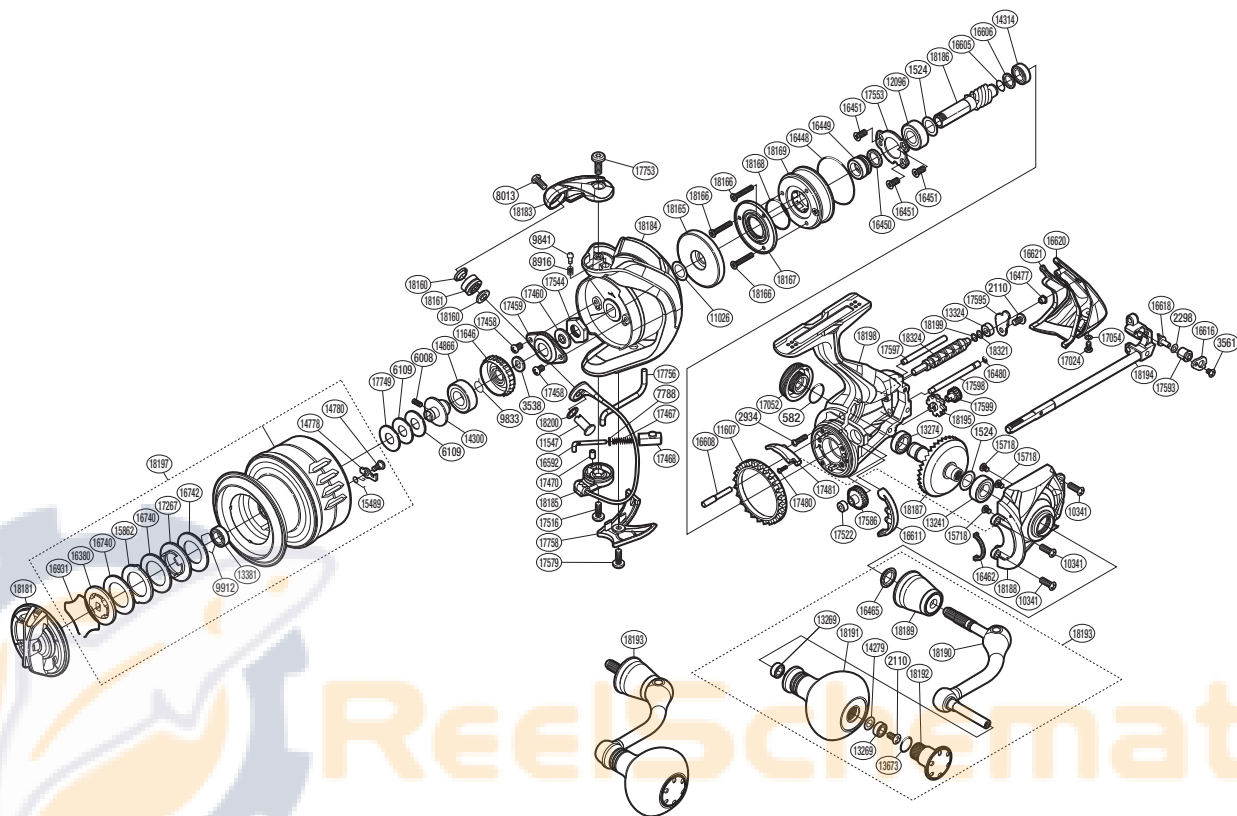


SHIMANO

TWIN POWER SA-RB

TPXD-C5000XG



Please note that the number of adjusting washers may not be the same as shown in the exploded views. (Adjustment will vary with each individual product.)
(51SF10H049X)

Part No.	Description	Part No.	Description	Part No.	Description
RD 0582	O Ring	RD16448	O Ring	RD17586	Idle Gear
RD 1524	Washer	RD16449	Roller Clutch Inner	RD17593	Oscillating Slider Bushing
RD 2110	Screw	RD16450	Roller Clutch Inner Spacer	RD17595	Worm Shaft Retainer
RD 2298	Spacer	RD16451	Screw	RD17597	Oscillating Guide A
RD 2934	Screw	RD16462	Flange Water Proof	RD17598	Oscillating Guide B
RD 3538	Spool Support	RD16465	Handle Shaft Seal	RD17599	Idle Gear B S
RD 3561	Screw	RD16477	Rear Protector Collar	RD17749	Spool Washer
RD 6008	Set Screw	RD16480	O Ring	RD17753	Screw
RD 6109	Spool Washer	RD16592	Bail Spring Guide A	RD17756	Bail Trip Lever
RD 7788	Spring Guide A Support	RD16605	O Ring	RD17758	Bail Hold Support Guard
RD 8013	Screw	RD16606	Pinion Gear Spacer	RD18160	Bearing Spacer
RD 8916	Click Spring	RD16608	Idle Gear B Shaft	RD18161	Line Roller(With Bearing)
RD 9833	Ratchet Spring	RD16611	Friction Ring Spacer	RD18165	Rotor Ring
RD 9841	Click Pin	RD16616	Oscillating Pawl Cover	RD18166	Screw
RD 9912	Bearing Retainer	RD16618	Oscillating Pawl	RD18167	Roller Clutch Reinforce
RD10341	Screw	RD16620	Rear Protector	RD18168	O Ring
RD11026	Washer	RD16621	Rear Shield	RD18169	Roller Clutch Assembly
RD11547	Line Roller Support	RD16740	Drag Washer	RD18181	Drag Knob
RD11607	Friction Ring	RD16742	Drag Washer	RD18183	Bail Arm
RD11646	Drag Click Ratchet	RD16931	Drag Washers Retainer	RD18184	Rotor
RD12096	Ball Bearing	RD17024	Screw	RD18185	Bail Assembly
RD13241	Ball Bearing	RD17052	Handle Screw Cap	RD18186	Pinion Gear
RD13269	Ball Bearing	RD17054	Washer	RD18187	Drive Gear
RD13274	Ball Bearing	RD17267	Key Washer	RD18188	Side Cover
RD13324	Worm Bushing	RD17458	Screw	RD18189	Handle Shaft Cover
RD13381	Ball Bearing	RD17459	Rotor Nut Lock Plate	RD18190	Handle Shank Assembly
RD13673	O Ring	RD17460	Bearing Water Proof	RD18191	Handle Knob
RD14279	Washer	RD17467	Bail Spring	RD18192	Handle Knob Seal
RD14300	Bearing Bushing	RD17468	Bail Spring Seat	RD18193	Handle Assembly
RD14314	Ball Bearing	RD17470	Bail Spring Guide A Bush	RD18194	Main Shaft Assembly
RD14778	Drag Click	RD17480	Screw	RD18195	Idle Gear B L
RD14780	Screw	RD17481	Bail Trip Strike	RD18197	Spool Assembly
RD14866	Ball Bearing	RD17516	Screw	RD18198	Body
RD15489	Drag Click Spring	RD17522	Worm Bushing (Front)	RD18199	Washer
RD15718	Screw	RD17544	Rotor Nut	RD18200	Washer
RD15862	Eared Washer	RD17553	Bearing Retainer	RD18321	Washer
RD16380	Key Washer	RD17579	Screw	RD18324	Worm Shaft